

# Series 8300 Pushbutton Switches

## Features

- Illuminated or non-illuminated
- Momentary or Alternating action
- Thermoplastic case
- Snap-in cases

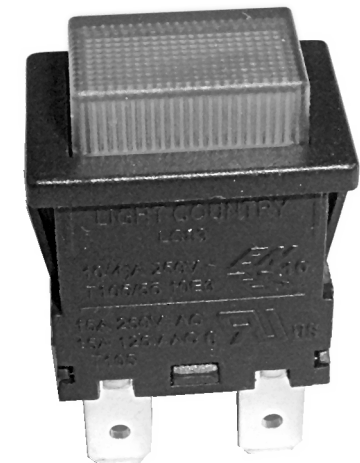
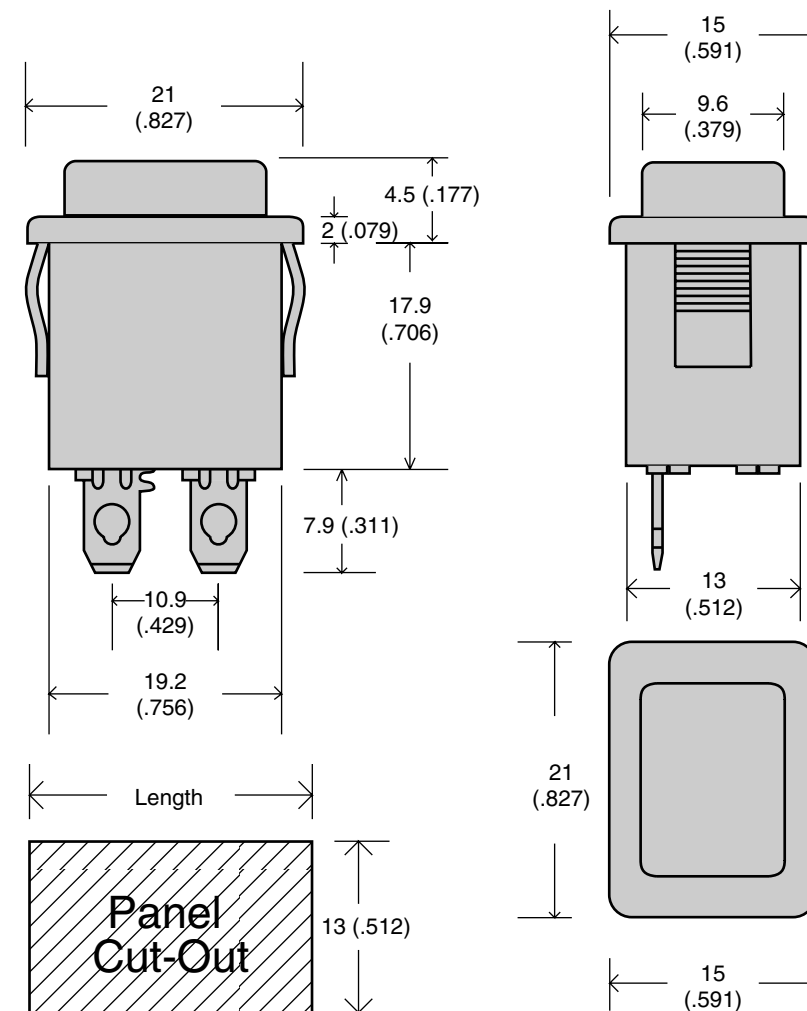
## Specifications

General Tolerance ..... 0.4 mm [inch]  
 ..... 0.25mm[inch]  
 Mechanical Life ..... 30,000 cycles  
 Electrical Life ..... 10,000 cycles  
 Dielectric Strength ..... 1,500V 1 minute  
 Insulation Resistance ..... 1000mΩ (500 DC  
 between open contacts)  
 Contact Resistance ..... 20mΩ

Switch Function Code	Poles & Throws	Pushbutton Down	Pushbutton Up
01	SPST	ON	OFF
02	SPST	(ON)	OFF
03	SPST(w/lamp)	ON	OFF
04	SPST(w/lamp)	(ON)	OFF
05	DPST	ON	OFF
06	DPST	(ON)	OFF
07	DPST(w/lamp)	ON	OFF
08	DPST(w/lamp)	(ON)	OFF

( )=Momentary

Panel Thickness (mm)	Length (mm)
0.7 ~ 1.25	19.0 + 0.2
1.26 ~ 2.0	19.3 + 0.2
2.1 ~ 3	19.6 + 0.2



## Ordering Procedure

