

B/CRTL Series Lighted Single-pole Rocker Switches



Water & Dust Resistant

Designed to meet IP65

Low Level Control

For low level/dry circuit applications (<100 am) contact factory for part number (Gold plated contacts).

High Inrush

125 Amp inrush capability (AgNi contacts).

Terminals

Style A - 1/4-inch quick-connect

Mechanical Features

100,000 mechanical operations

Lamps

6, 12 and 28 volt incandescent lamps standard.
125 and 250 volt neon lamps standard.

Special Lamps

Green neon 125 and 250 volt lamps for green actuator.

LED Display

LED display options available. Consult factory.

Markings

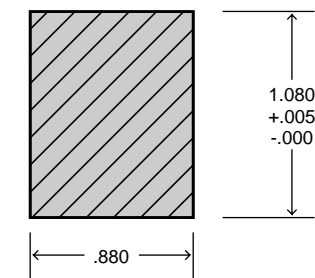
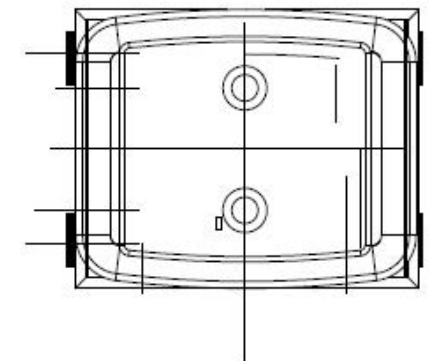
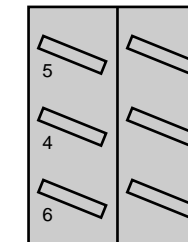
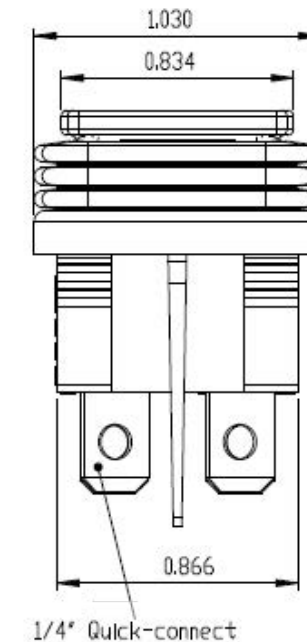
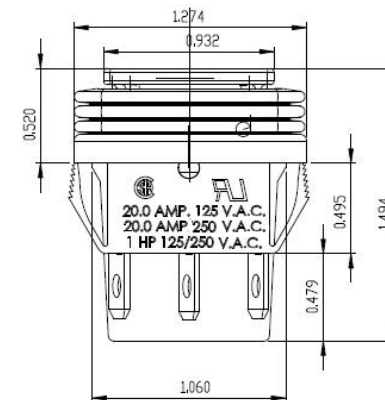
Letters, numbers and symbols can be applied to rocker actuator or to integral nylon bezel; see inside back cover for details.

Mounting

Snap-in type panel mounting for ease of installation without additional mounting hardware.

Circuit	Switching			
1	SPST Maintained Refer to Note 1			
4	SPST (Momentary) Normally Open Refer to Note 1			
10	SPST Maintained Refer to Note 1			
30	SPDT Maintained Center Off Refer to Note 1			
80	SPDT (Momentary) Center Off Refer to Note 1			

NOTE 1. Furnished with two separate lamp terminals at the back of the switch.



Panel Cut Out
Panel Thickness 1/32" - 3/16"

Ordering Information:

