

RC Series Non-Illuminated Round Rocker Switches



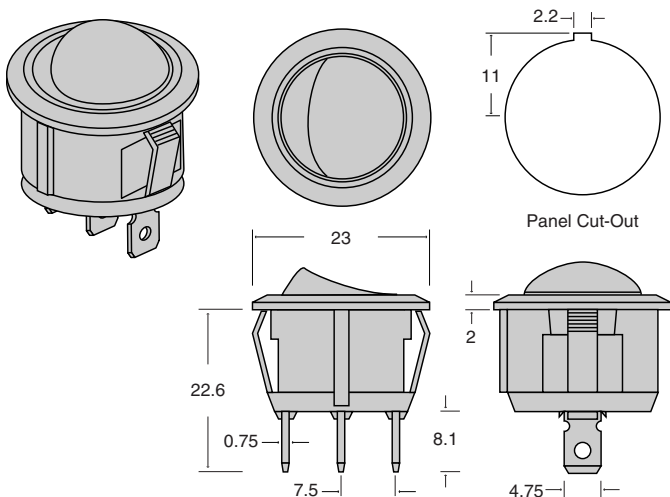
Features

- Snap-in mounting
- Quick connect terminals

Specifications

- Rating 10A 250V AC
..... 15A 125V AC
- Circuit-Position S.P.D.T/S.P.S.T
- Contact Resistance <math><50\text{m}\Omega</math> (Max)
- Insulation Resistance 1,00M Ω (Min)
- Dielectric Strength 1,500V AC for 1 Minute
- Safety Standard Approval UL, CSA

Circuit	Switching			
1	SPST 2-Position Maintained			
2	SPDT 2-Position Maintained			
3	SPDT 3-Position Maintained			



Ordering Information:

Series	Switch Function	Rating	Housing Color	Actuator Color	Marking	Terminal	Lamp Voltage	Shape of Window	Safety Approval
RC									
	1 ON-OFF 2 ON-ON 3 ON-OFF-ON	5 10A 250V AC 15A 125V AC	K Black W White G Gray O Orange R Red N Green Y Yellow B Blue V Violet	K Black W White G Gray O Orange R Red N Green Y Yellow B Blue V Violet	B = C = E = F = G = I =	T Quick Connect, 4.8mm wide, 0.8mm thick 	0 No Lamp	0 No Window	B UL, ENEC 10

