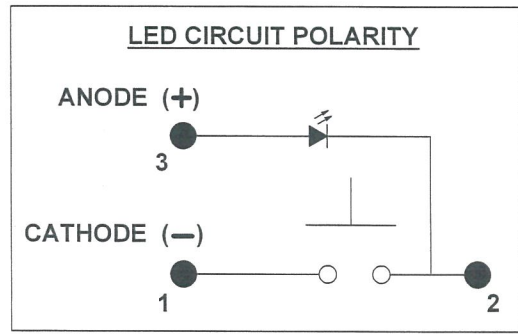
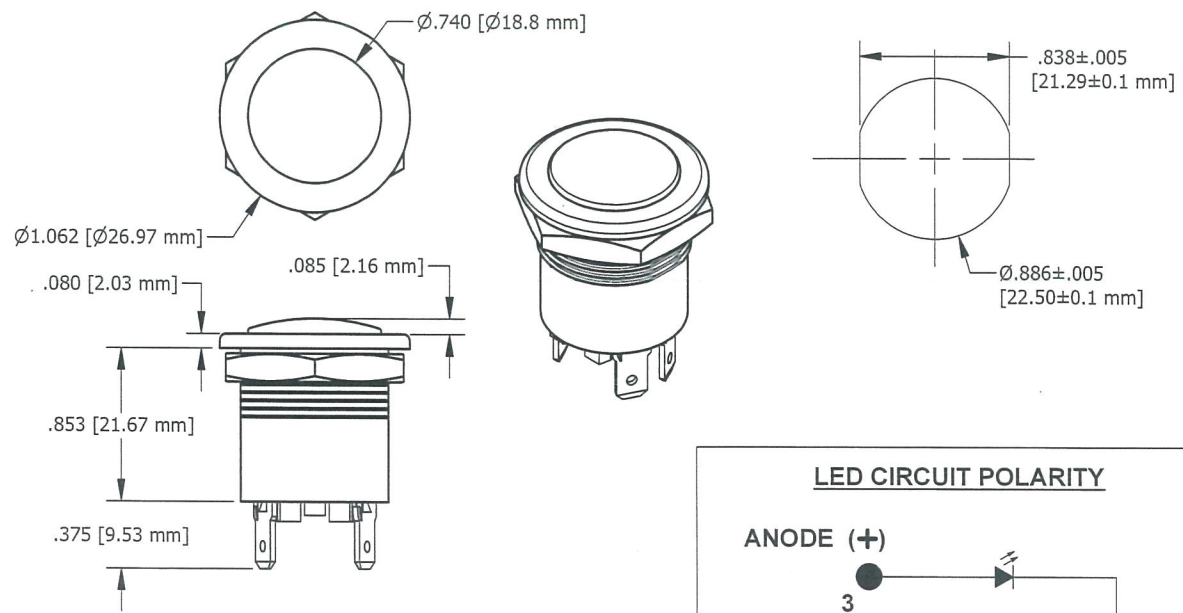


F  
E  
D  
C  
B  
A  
 THIS INFORMATION IS CONFIDENTIAL AND PROPRIETARY TO CW INDUSTRIES INCORPORATED AND ITS AFFILIATES. IT MAY NOT BE DISCLOSED TO ANYONE, OTHER THAN CW INDUSTRIES PERSONNEL, WITHOUT WRITTEN AUTHORIZATION FROM CW INDUSTRIES INCORPORATED, SOUTHAMPTON, PENNSYLVANIA USA.



DIMENSIONS IN INCHES (MILLIMETERS) DO NOT SCALE DRAWING .....		Dwg. No. <b>MFLM6X8-2M9</b>
<b>REVISIONS</b>	0 New drawing. DWG 6/10/22 CH 6/13/22	
	1 Redrawn. Added Operating Temp. DWG 11/17/22 <i>CH 11/17/22</i>	

**Contact Rating:**  
**10A 125/250 VAC**  
**1/4 HP 125 VAC**  
**10A 14VDC**

**LED Voltage - 2V**  
**LED Color - Amber**  
**Lens Color - Clear**  
**Contacts: Fine silver**  
**Dielectric strength: 2000 VAC RMS**  
**Life: 25,000 Operations at Maximum rating -**  
**100,000 Mechanical**  
**Operating Temp. : -40°C to 80°C**

<b>OSLO SWITCH</b> <b>CW Industries</b> A Unit of Electro Switch Corp.	Title: <b>PUSH BUTTON LED ILLUMINATED CUSTOM POLARITY</b>
	TOLERANCES UNLESS OTHERWISE SPECIFIED 2 Place Decimal ± .010 METRIC 3 Place Decimal ± .005 1 Place Dec. ± .25mm Angles ..... ± 1' 2 Place Dec. ± .13mm
Made for: CW/OSLO	Division: SWITCH
Drawn by: DGW 6/10/22	Dwg. No. <b>MFLM6X8-2M9</b>
Checked by: <i>G. GULD 11-17-22</i>	
Approval: <i>CH 11/17/22</i>	

1 2 3 4 5 6 7 8 9 10

MASTER