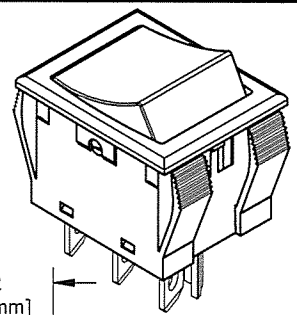
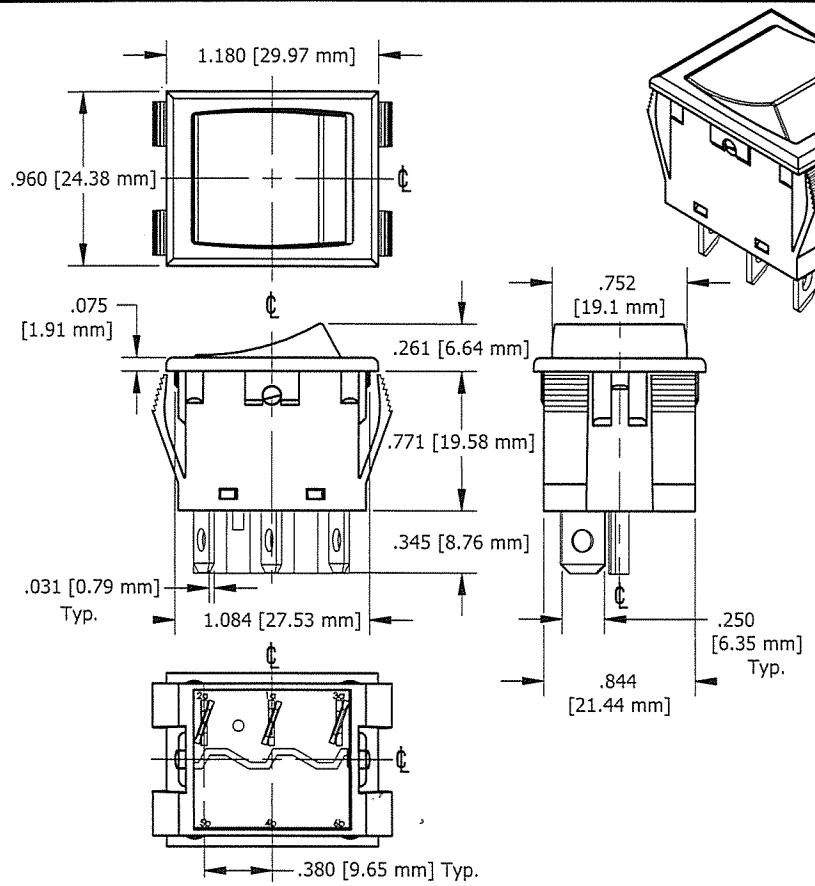


THIS INFORMATION IS CONFIDENTIAL AND PROPRIETARY TO CW INDUSTRIES INCORPORATED AND ITS AFFILIATES. IT MAY NOT BE DISCLOSED TO ANYONE OTHER THAN CW INDUSTRIES PERSONNEL, WITHOUT WRITTEN AUTHORIZATION FROM CW INDUSTRIES INCORPORATED, SOUTHAMPTON, PENNSYLVANIA, USA.



Approvals:
 UL recognized, CSA certified.
 Load rating: 20A 125/250 VAC, 3/4 HP, 125/250 VAC. 14A 14VDC.
 Contacts: Fine silver, Standard.
 Dielectric strength: 1250 Volts (Live parts to ground).
 Life: 35,000 Operations at maximum rating.
 Insulation Resistance: 5 megohms.

Water & Dust Resistance:
 Designed to meet IP-64.

High Inrush:
 125 Amp inrush capability (AgNi contacts).

Terminals:
 .250" Wide x .031" Thk. Quick connect.

Mechanical operation: 100,000 Cycles

Markings:
 Letters, numbers and symbols can be applied to rocker Actuator or to Housing bezel.
 Consult factory.

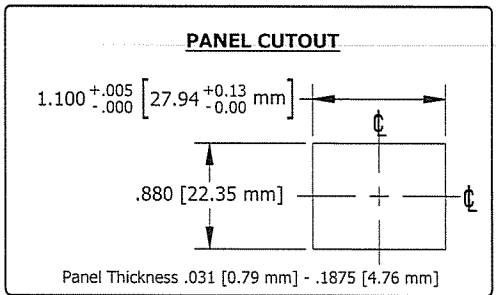
Mounting:
 Snap-in type panel mounting for ease of installation without additional mounting hardware.

DIMENSIONS IN INCHES (MILLIMETERS)
 DO NOT SCALE DRAWING

REVISIONS	Dwg. No.	WRTP SP SERIES SWITCH
	0	New drawing. DGW 4/13/23
		APR 18 2023 Cec 4/18/23

() = Momentary

Circuit	Switching	ON	OFF	ON
1	SPST Maintained			
2	SPDT Maintained			
3	SPDT Maintained Center Off			
4	SPST (Momentary) Normally Open			
5	SPST (Momentary) Normally Closed			
6	SPDT (Momentary) Transfer			
7	SPDT Maintained Center Off (Momentary)			
8	SPDT (Momentary) Center Off (Momentary)			



ORDERING INFORMATION:

WRTP					
	Circuit	Terminal Option	Actuator Color	Housing Color	Accessories (Optional)
	1=SPST, Maintained 2=SPDT, Maintained 3=SPDT Maintained Center Off 4=SPST, (Momentary) Normally Open 5=SPST, (Momentary) Normally Closed, 6=SPDT, (Momentary) Transfer 7=SPDT, Maintained Center Off (Momentary) 8=SPDT, (Momentary) Center Off (Momentary)	A=Fine Silver (Normal Duty) Contacts G=Gold Plated Contacts H=High Inrush Contacts	7=White 9=Black 12=Red	M9=Matte Black (For other colors) Contact Factory	B=Protective Barrier E=Epoxy Seal G=Panel Gasket

CW Industries
 OSLO SWITCH
 A Unit of Electro Switch Corp.

TOLERANCES UNLESS OTHERWISE SPECIFIED

2 Place Decimal ± .010	METRIC
3 Place Decimal ± .005	1 Place Dec. ± .25mm
Angles ± 1°	2 Place Dec. ± .13mm

Made for: CW/OSLO
 Drawn by: DGW 4/13/23
 Checked by: G. GULD 4-18-23
 Approved: [Signature] 4/18/23

Title: WRTP SERIES WEATHERPROOF SINGLE - POLE ROCKER SWITCH

Division: SWITCH

Dwg. No. WRTP SP SERIES SWITCH

1 2 3 4 5 6 7 8 9 10

MASTER