

Series R19B (RB)

Subminiature Rocker Switch



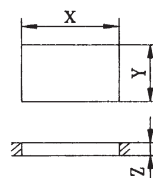
Technical Data

Electrical rating:	ENEC: 6(1) A 250V ~ UL&CSA: 8A 250V AC 10A 125V AC
Mechanical life endurance:	3x10 ⁴
Electrical life:	1x10 ⁴
Contact resistance:	<20mΩ
Insulation resistance:	>1000MΩ (500V DC between the open contacts)
High voltage resistance:	>1500V AC 1minutes
Ambient temperature:	-10°C ~ +85°C
Atmospheric humidity:	Max.85%
Actuating force:	4~8N (depends on different switch functions)
Flammability:	UL94 V-2
Material of housing:	PA66
Material of rocker:	PA66
Terminal:	Copper silver-plated
Temperature rise at the terminal:	Max 30°C
Solder temperature of terminal:	Max 350°C, 3s (No pressure may be placed on the terminals when soldering by hand)



Panel Cut Out

Z	Y	X
0.70~1.25	12.80~12.90	19.20~19.30
1.25~2.00	12.80~12.90	19.30~19.40
2.00~3.00	12.80~12.90	19.50~19.60



Ordering procedure

RB3 2 K K E T 0 B
 (a) (b) (c) (d) (e) (f) (g) (H)

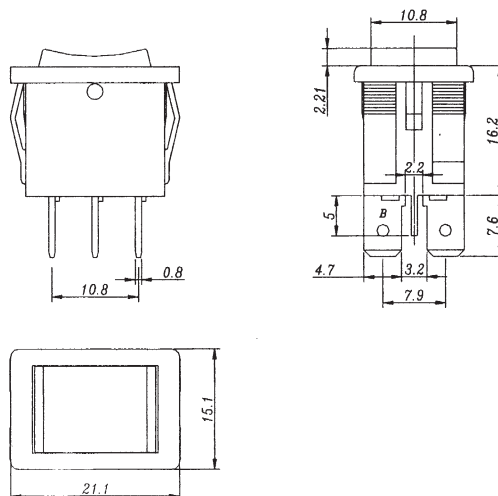
- (a) Item NO.: Page 5
- (b) Rating: ENEC/ 6(1) A 250V ~ UL&CSA/6A 250V AC 10A 125V AC
- (c) Color of housing : Page 5
- (d) Color of rocker: Page 5
- (e) Marking: Page 75
- (f) Terminal type: T=quick connect tab
- (g) Lamp: 0=No lamp
- (i) B=2 safety Approvals: ENEC UL&CSA E=None Approvals

Options of switch functions

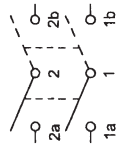
Item No (a)	POLES & THROWS	Rocker position		
		Left	Center	Right
RB3	DPDT	ON	OFF	ON
RB6	DPDT	(ON)	OFF	(ON)
RB8	DPDT	(ON)	OFF	ON

Color	K (black)	W (white)	G (gray)	O (orange)	R (red)
(c) Housing	✓	✓	✓		
(d) Rocker	✓	✓	✓	✓	✓

Dimension

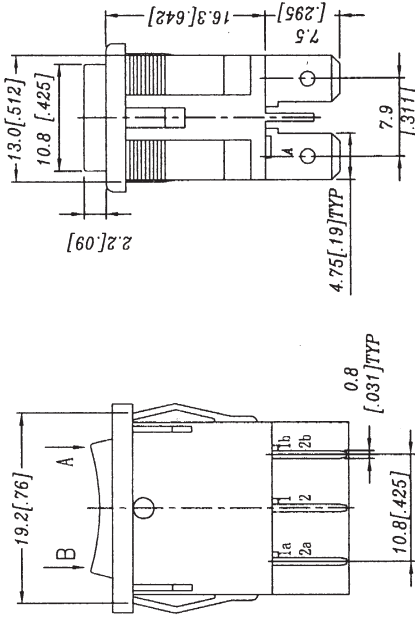
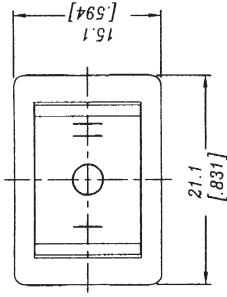
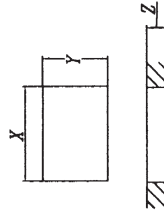


- All dimensions in mm [Inch]
- General tolerance : $>10\pm 0.4$
 $<10\pm 0.25$
- Electrical rating : 6A 250VAC & 10A 125VAC
- Contact resistance : $<20\text{m}\Omega$ (initial)
- Insulation resistance : $>1000\text{M}\Omega$ (500DC between open contacts)
- Dielectric strength : $>1500\text{V}$ 1 minute
- Mechanical life : >30000 cycles
- Electrical life: >10000 cycles
- Temperature rise at the terminal : Max. 30°C
- Solder ability of terminal : Max 350°C , 3S (no pressure may be placed in the terminals when soldering by hand)
- Any Cd Pb Hg etc and it's compounds is not include in this product



POLE FUNCTION	OPTIONS OF FUNCTION	
	A	B
DPDT	1-1a 2-2a	1-1b 2-2b

PANEL CUT-OUT			
Z	Y	X	
0.7-1.25 [.028-.049]	13.0-13.1 [.511-.515]	19.1-19.2 [.752-.756]	
1.25-2.0 [.049-.079]	13.0-13.1 [.511-.515]	19.3-19.4 [.760-.764]	
2.0-3.0 [.079-.118]	13.0-13.1 [.511-.515]	19.5-19.6 [.768-.772]	



Color	Housing #	Actuator #
K(Black)	#	#
W(White)		
R(Red)		
G(Gray)		
O(Orange)		
B(Blue)		
Y(III. Yellow)		
M(III. Green)		
F(III. Blue)		
T(III. White)		
D(III. Red)		

A	B	C	D	E	F	G	H	I
#	#							

SCALE: 0.5:1

Part No.		RB32KKBTOB		Drawing		leifangfang		Auciting		Wangchangjian	
Dwg. NO.		RB32-60807		Scale		2:1		Date		08/08/06	
Series NO.		RB		Specification							
Dwg Name											



* We keep the right to alter the dimension without notice.