

B - CRTL Series Lighted Double-pole Rocker Switches



Water & Dust Resistant

Designed to meet IP65

Low Level Control

For low level/dry circuit applications (<100 am) contact factory for part number (Gold plated contacts).

High Inrush

125 Amp inrush capability (AgNi contacts). Positive action on/off available..

Terminals

Style A - 1/4-inch quick-connect

Mechanical Features

100,000 mechanical operations

Lamps

6, 12 and 28 volt incandescent lamps standard. 125 and 250 volt neon lamps standard.

Special Lamps

Green neon 125 and 250 volt lamps. Consult factory.

LED Display



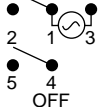
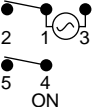
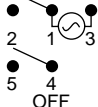
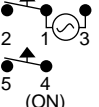
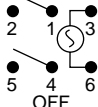
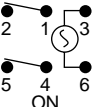
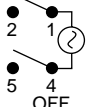
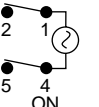
LED display options available.

Markings

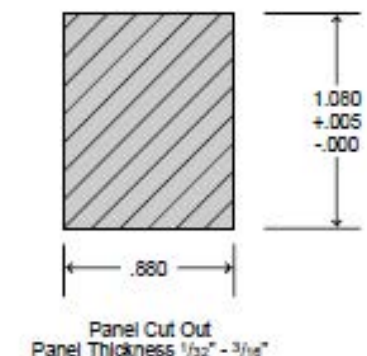
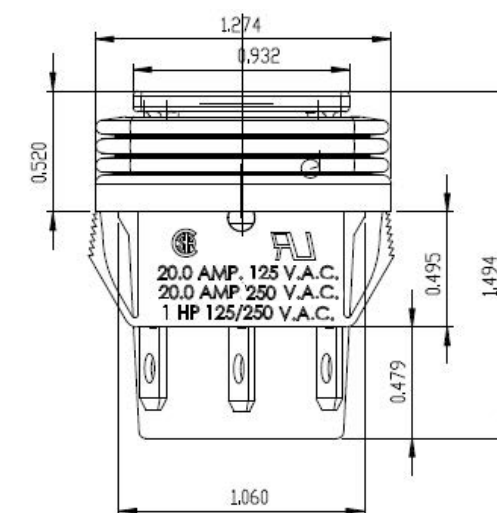
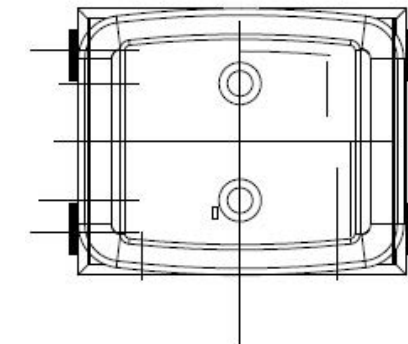
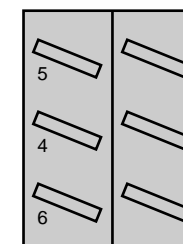
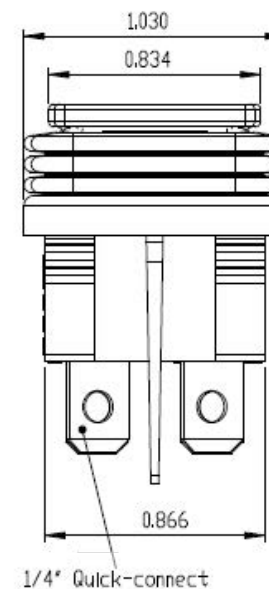
Letters, numbers and symbols can be applied to rocker actuator or to integral nylon bezel; see inside back cover for details.

Mounting

Snap-in type panel mounting for ease of installation without additional mounting hardware.

Circuit	Switching		
11	DPST Maintained Refer to Note 1		
44	DPST (Momentary) Normally Open Refer to Note 1		
110	DPST Maintained Independent Lamp		
111	DPST Maintained Furnished with the lamp internally connected to light when the actuator is pushed to on.		

NOTE 1. Furnished with one side of the lamp internally connected and a single lamp-terminal at the back of the switch.



Ordering Information:

