

CRTL Series Lighted Double-pole Rocker Switches

Approvals

UL recognized, CSA certified. Load rating: 20A 125/250 VAC. 1 HP, 125/250 VAC. 14A 14VDC, VDE approval 15A. Contacts: fine silver for long life dependability. Dielectric strength: 1250 volts (live parts to ground). Life: 35,000 operations at maximum rating. Insulation resistance: 5 megohms.

Low Level Control

For low level/dry circuit applications (<100 am) contact factory for part number (Gold plated contacts).

High Inrush

125 Amp inrush capability (AgNi contacts). Positive action on/off available..

Terminals

Style A - 1/4-inch quick-connect

Mechanical Features

100,000 mechanical operations

Lamps

6, 12 and 28 volt incandescent lamps standard. 125 and 250 volt neon lamps standard.

Special Lamps

Green neon 125 and 250 volt lamps. Consult factory.

LED Display

LED display options available.



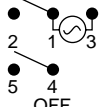
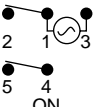
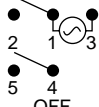
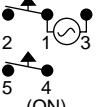
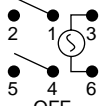
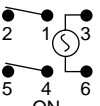
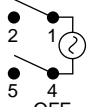
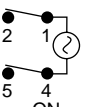
Markings

Letters, numbers and symbols can be applied to rocker actuator

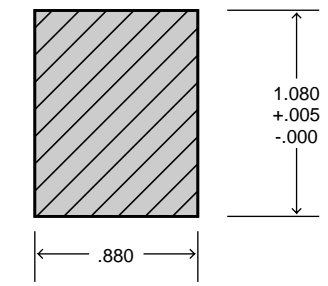
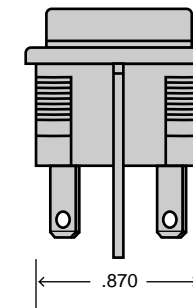
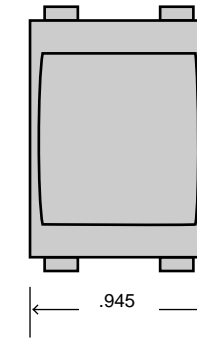
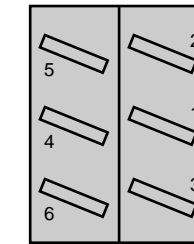
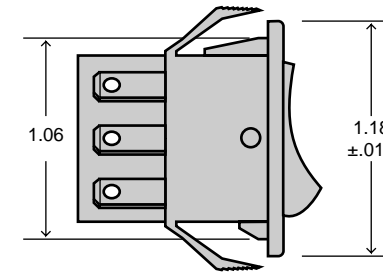
or to integral nylon bezel; see inside back cover for details.

Mounting

Snap-in type panel mounting for ease of installation without additional mounting hardware.

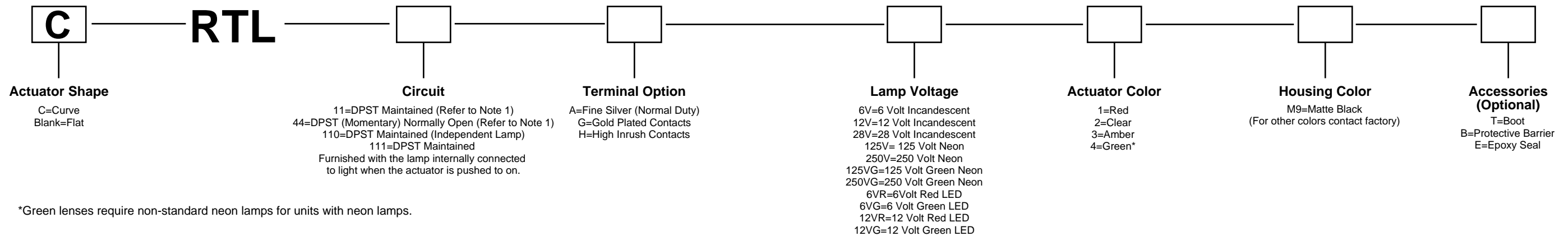
Circuit	Switching		
11	DPST Maintained Refer to Note 1		
44	DPST (Momentary) Normally Open Refer to Note 1		
110	DPST Maintained Independent Lamp		
111	DPST Maintained Furnished with the lamp internally connected to light when the actuator is pushed to on.		

NOTE 1. Furnished with one side of the lamp internally connected and a single lamp-terminal at the back of the switch.



Panel Cut Out
Panel Thickness 1/32" - 3/16"

Ordering Information:



*Green lenses require non-standard neon lamps for units with neon lamps.