

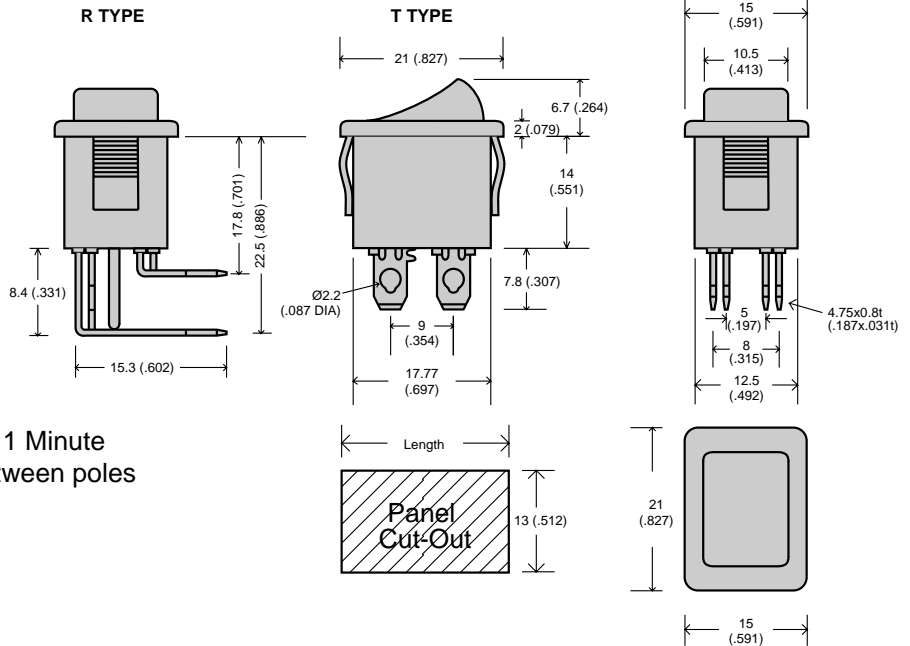
R9 Miniature Rocker Switches

Features

- Lighted or non-lighted
- Snap-in mounting
- Quick connect terminals
- approvals available

Specifications

- Rating 6A 250V AC
- Mechanical Life 15,000 Cycles
- Electrical Life 10,000 Cycles
- Contact Resistance 20mΩ max.
- Insulation Resistance 1,000MΩ min.
- Dielectric Strength 1,500V AC for 1 Minute
3,000V AC between poles



Panel Thickness (mm)	Length (mm)
0.7 ~ 1.25	19.0 + 0.2
1.26 ~ 2.0	19.3 + 0.2
2.1 ~ 3	19.6 + 0.2

Ordering Information:

R9 — 2 — — — — — —

Function 1=SPST 9=SPST w/Neon D=DPST Y=DPST w/Neon	Rating 2=6A,250V AC	Housing Color K=Black W=White	Rocker Color K=Black W=White O=Orange R=Red Y=Yellow M=Green	Marking A = F = B = G = C = H = D = I = E = L =	Terminal Type T Type R Type	Lamp Voltage 0=No Lamp 1=125V AC 2=250V AC 3=12V DC 4=24V DC 6=6V DC
---	-------------------------------	--	---	--	--	---

