

WRTP Series Weatherproof Double-pole Rocker Switches

Approvals

UL recognized; CSA approved; VDE approval pending.
 Load rating: 20A 125/250 VAC. 3/4 HP, 125/250 VAC. 14A 14VDC. Contacts: fine silver for long life dependability.
 Dielectric strength: 1250 volts (live parts to ground).
 Life: 35,000 operations at maximum rating.
 Insulation resistance: 5 megohms.

Water & Dust Resistance

Designed to meet IP-64.

High Inrush

125 Amp inrush capability (AgNi contacts).

Low Level Control

For low level/dry circuit applications (<100 am) contact factory for part number.

Terminals

Style A - 1/4-inch quick-connect

Mechanical Features

100,000 mechanical operations

Markings

Letters, numbers and symbols can be applied to rocker actuator or to integral nylon bezel; see inside back cover for details.

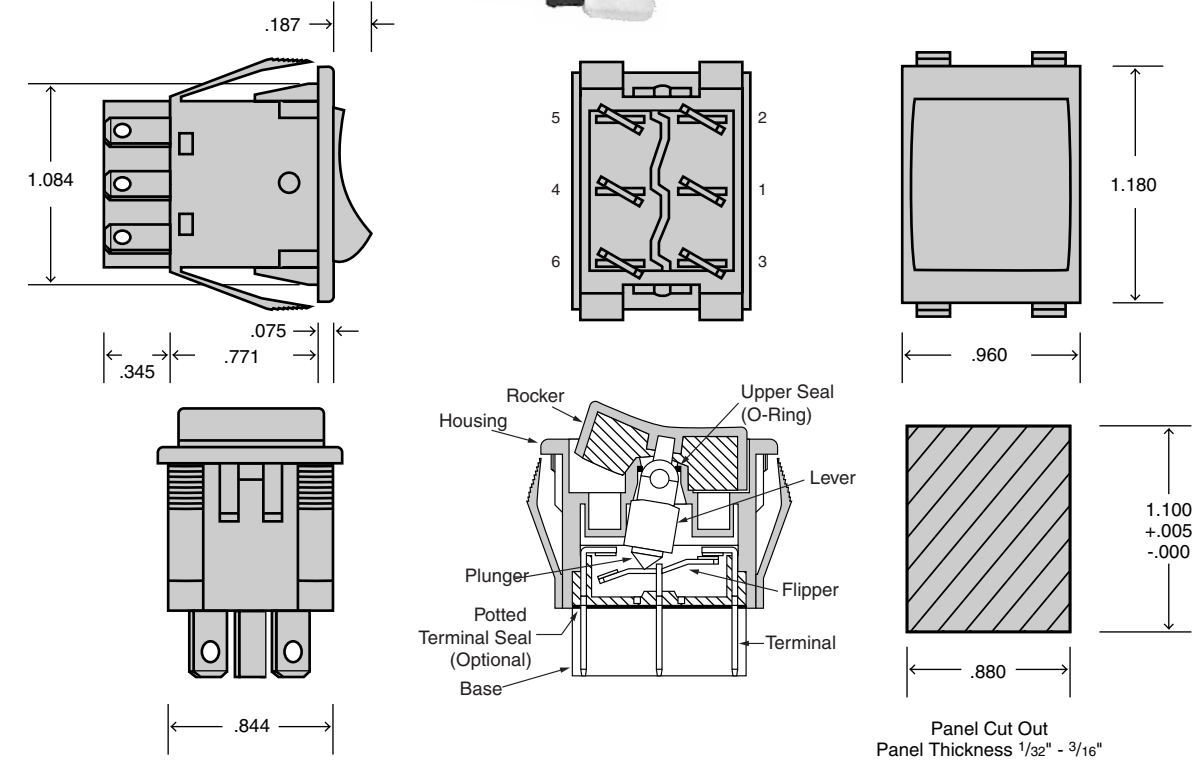
Mounting

Snap-in type panel mounting for ease of installation without additional mounting hardware.

Lighted Types

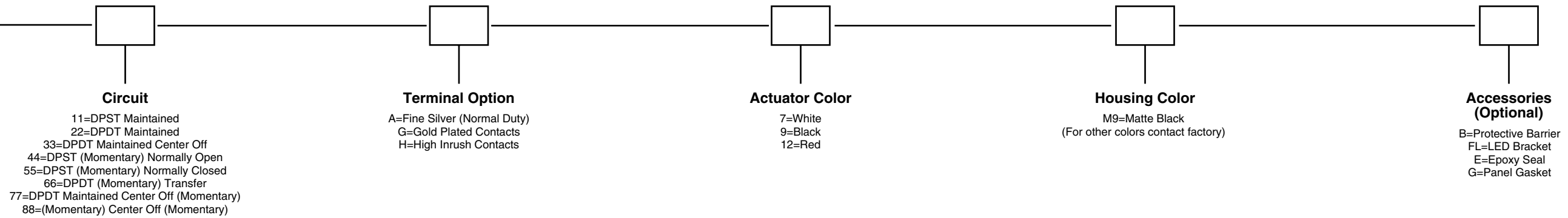
Please inquire.

Circuit	Switching	
11	DPST Maintained	
22	DPDT Maintained	
33	DPDT Maintained Center Off	
44	DPST (Momentary) Normally Open	
55	DPDT (Momentary) Normally Closed	
66	DPDT (Momentary) Transfer	
77	DPDT Maintained Center Off (Momentary)	
88	DPDT (Momentary) Center Off (Momentary)	



Ordering Information:

WRTP



Phone (203) 272-2794 ● Fax (203) 272-3492 ● <http://www.osloswitch.com>

MADE IN U.S.A.



Phone (203) 272-2794 ● Fax (203) 272-3492 ● <http://www.osloswitch.com>

MADE IN U.S.A.