

# WRTP Series Weatherproof Double-pole Rocker Switches

## Approvals

UL recognized; CSA approved; VDE approval pending.  
 Load rating: 20A 125/250 VAC. 3/4 HP, 125/250 VAC. 14A 14VDC. Contacts: fine silver for long life dependability.  
 Dielectric strength: 1250 volts (live parts to ground).  
 Life: 35,000 operations at maximum rating.  
 Insulation resistance: 5 megohms.

## Water & Dust Resistance

Designed to meet IP-64.

## High Inrush

125 Amp inrush capability (AgNi contacts).

## Low Level Control

For low level/dry circuit applications (<100 am) contact factory for part number.

## Terminals

Style A - 1/4-inch quick-connect

## Mechanical Features

100,000 mechanical operations

## Markings

Letters, numbers and symbols can be applied to rocker actuator or to integral nylon bezel; see inside back cover for details.

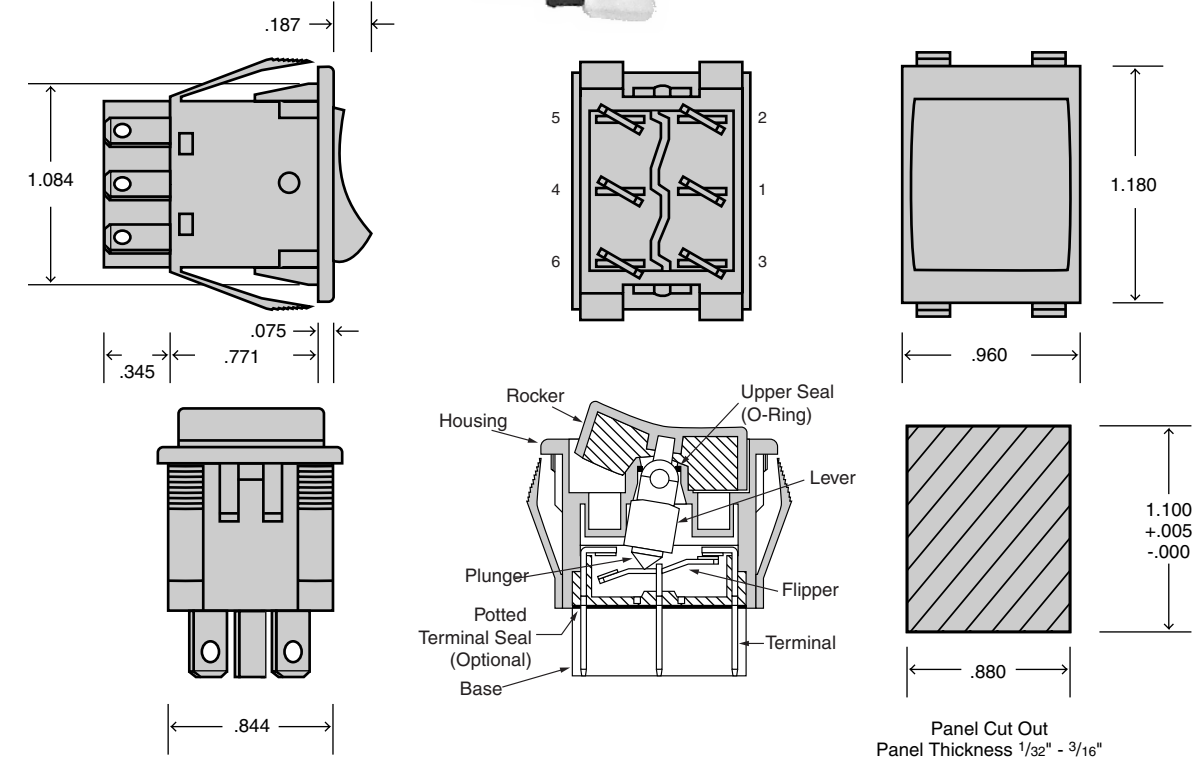
## Mounting

Snap-in type panel mounting for ease of installation without additional mounting hardware.

## Lighted Types

Please inquire.

| Circuit | Switching                               |  |
|---------|---|--|
| 11      | DPST Maintained                         |  |
| 22      | DPDT Maintained                         |  |
| 33      | DPDT Maintained Center Off              |  |
| 44      | DPST (Momentary) Normally Open          |  |
| 55      | DPDT (Momentary) Normally Closed        |  |
| 66      | DPDT (Momentary) Transfer               |  |
| 77      | DPDT Maintained Center Off (Momentary)  |  |
| 88      | DPDT (Momentary) Center Off (Momentary) |  |



## Ordering Information:

# WRTP

### Circuit

11=DPST Maintained  
 22=DPDT Maintained  
 33=DPDT Maintained Center Off  
 44=DPST (Momentary) Normally Open  
 55=DPST (Momentary) Normally Closed  
 66=DPDT (Momentary) Transfer  
 77=DPDT Maintained Center Off (Momentary)  
 88=(Momentary) Center Off (Momentary)

### Terminal Option

A=Fine Silver (Normal Duty)  
 G=Gold Plated Contacts  
 H=High Inrush Contacts

### Actuator Color

7=White  
 9=Black  
 12=Red

### Housing Color

M9=Matte Black  
 (For other colors contact factory)

### Accessories (Optional)

B=Protective Barrier  
 FL=LED Bracket  
 E=Epoxy Seal  
 G=Panel Gasket



Phone (203) 272-2794 ● Fax (203) 272-3492 ● <http://www.osloswitch.com>

MADE IN U.S.A.



Phone (203) 272-2794 ● Fax (203) 272-3492 ● <http://www.osloswitch.com>

MADE IN U.S.A.