

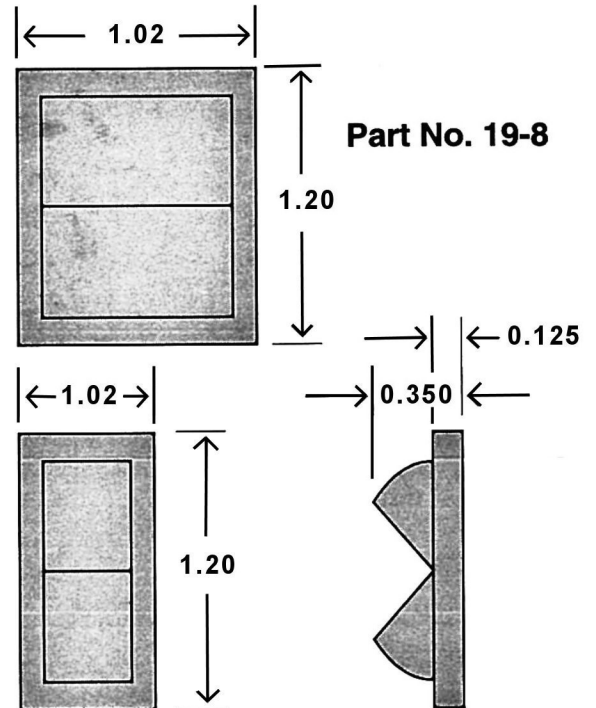
Accessories

Front Panel Boot

Transparent covers for rocker switches (CRS and CRT Series) provide protection against dirt and contaminants.

To order, add the suffix "T" to the part number selected.

To order separately, use the part number 19-7 for CRS Series or 19-8 for CRT Series.



Protective Barrier

Available for CRTL and CRTP Series rocker switches.

The protective barrier is offered to help prevent accidental activation of the switch or adjacent switches (when matrix mounted).

To order, add the suffix "B" to the part number selected.

To order separately, use the part number 19-6W9.

