

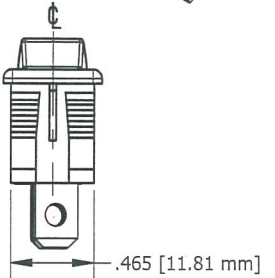
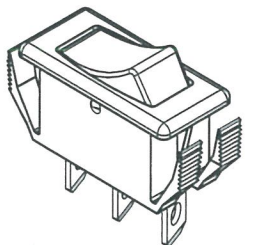
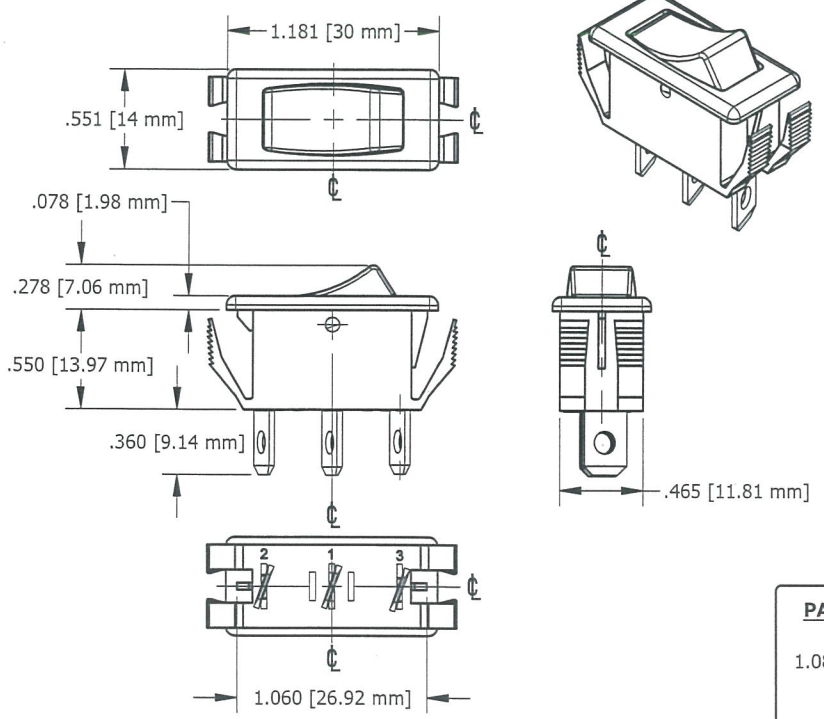
THIS INFORMATION IS CONFIDENTIAL AND PROPRIETARY TO CW INDUSTRIES INCORPORATED AND ITS AFFILIATES. IT MAY NOT BE DISCLOSED TO ANYONE, OTHER THAN CW INDUSTRIES PERSONNEL, WITHOUT WRITTEN AUTHORIZATION FROM CW INDUSTRIES INCORPORATED, SOUTHAMPTON, PENNSYLVANIA USA.

T
M
M
D
C
B
A

DIMENSIONS IN INCHES (MILLIMETERS)
DO NOT SCALE DRAWING

Dwg. No. **CRSL SP SERIES SWITCH**

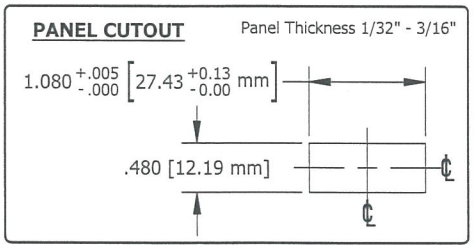
REVISIONS	0	New drawing. DGW 9/22/21 <i>CG</i>



() = Momentary

Circuit	Switching	OFF	ON
1	SPST Maintained Refer to Note 1		
4	SPST (Momentary) Normally Open Refer to Note 1		
0	G		

NOTE 1: Furnished with one side of the lamp internally connected and a single lamp-terminal at the back of the switch.



Approvals:
UL recognized, CSA certified.
Load rating: 20A 125/250 VAC, 1 HP, 125/250 VAC.
Contacts: Fine silver, Standard
Dielectric strength: 1250 Volts (Live parts to ground).
Life: 35,000 Operations at maximum rating.
Insulation Resistance: 5 megohms.

Low Level Control:
For low level/dry circuit applications (<100 ma) contact factory for part number (Gold plated contacts).

High Inrush:
125 Amp inrush capability (AgNi contacts).

Terminals:
.250" Wide x .031" Thk. Quick connect.

Mechanical operation: 100,000 Cycles

Lamps:
6, 12 And 28 volt incandescent lamps standard.
125 And 250 volt neon lamps standard.

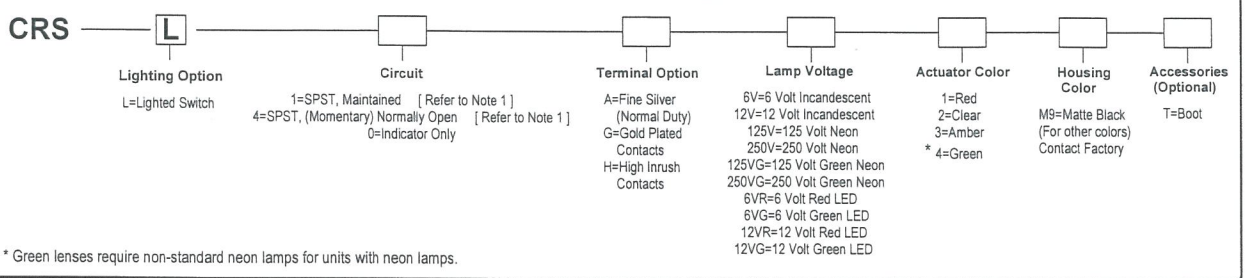
Special Lamps:
Green neon 125 and 250 volt lamps for green actuator.

LED Display:
LED display options available. Consult factory.

Markings:
Letters, numbers and symbols can be applied to rocker Actuator or to Housing bezel. Consult factory.

Mounting:
Snap-in type panel mounting for ease of installation without additional mounting hardware.

ORDERING INFORMATION:



OSLO SWITCH
CW Industries
A Unit of Electro Switch Corp.

TOLERANCES UNLESS OTHERWISE SPECIFIED

2 Place Decimal ± .010	METRIC
3 Place Decimal ± .005	1 Place Dec ± .25mm
Angles ± 1°	2 Place Dec ± .13mm

Made for: CW/OSLO
Division: SWITCH

Drawn by: DGW 9/21/2021

Checked by: *G. GULI* 9-30-21
Approval: *C. HENN* 9/22/21

Title: **CRSL SERIES ILLUMINATED SP ROCKER SWITCH**

Dwg. No. **CRSL SP SERIES SWITCH**

1	2	3	4	5	6	7	8	9	10
---	---	---	---	---	---	---	---	---	----

MASTER