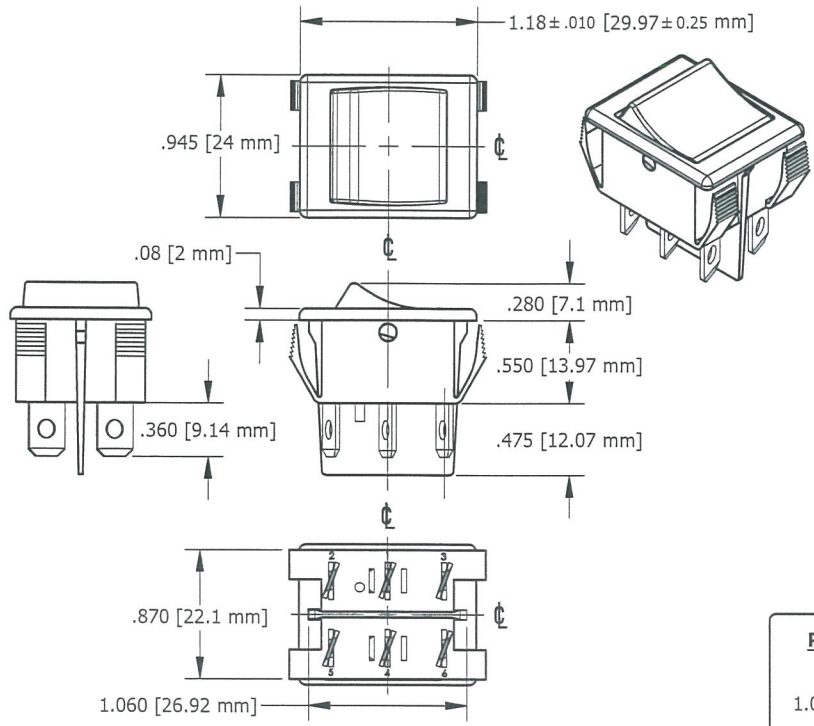


THIS INFORMATION IS CONFIDENTIAL AND PROPRIETARY TO CW INDUSTRIES INCORPORATED AND ITS AFFILIATES. IT MAY NOT BE DISCLOSED TO ANYONE, OTHER THAN CW INDUSTRIES PERSONNEL, WITHOUT WRITTEN AUTHORIZATION FROM CW INDUSTRIES INCORPORATED, SOUTHAMPTON, PENNSYLVANIA USA.



Approvals:
 UL recognized, CSA certified.
 Load rating: 20A 125/250 VAC, 1 HP, 125/250 VAC.
 Contacts: Fine silver, Standard
 Dielectric strength: 1250 Volts (Live parts to ground).
 Life: 35,000 Operations at maximum rating.
 Insulation Resistance: 5 megohms.

Low Level Control:
 For low level/dry circuit applications (<100 ma) contact factory for part number (Gold plated contacts).

High Inrush:
 125 Amp inrush capability (AgNi contacts).

Terminals:
 .250" Wide x .031" Thk. Quick connect.

Mechanical operation: 100,000 Cycles

Lamps:
 6, 12 And 28 volt incandescent lamps standard.
 125 And 250 volt neon lamps standard.

Special Lamps:
 Green neon 125 and 250 volt lamps for green actuator.

LED Display:
 LED display options available. Consult factory.

Markings:
 Letters, numbers and symbols can be applied to rocker Actuator or to Housing bezel. Consult factory.

Mounting:
 Snap-in type panel mounting for ease of installation without additional mounting hardware.

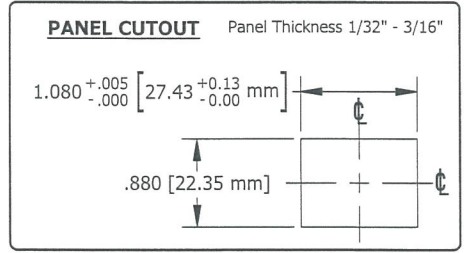
DIMENSIONS IN INCHES (MILLIMETERS)
 DO NOT SCALE DRAWING

Dwg. No. CRTL DP SERIES SWITCH	
REVISIONS	0 New drawing. DGW 9/21/21

() = Momentary

Circuit	Switching		
11	DPST Maintained Refer to Note 1		
44	DPST (Momentary) Normally Open Refer to Note 1		
110	DPST Maintained Independent Lamp		
111	DPST Maintained Furnished with the lamp internally connected to light when the actuator is pushed to on.		

NOTE 1: Furnished with one side of the lamp internally connected and a single lamp-terminal at the back of the switch.



ORDERING INFORMATION:

Actuator Shape	Circuit	Terminal Option	Lamp Voltage	Actuator Color	Housing Color	Accessories (Optional)
C=Curve Blank=Flat	11=DPST, Maintained [Refer to Note 1] 44=DPST, (Momentary) Normally Open [Refer to Note 1] 110=DPST, Maintained [Independent Lamp] 111=DPST, Maintained [Furnished with the lamp internally connected to light when the actuator is pushed to on.	A=Fine Silver (Normal Duty) G=Gold Plated Contacts H=High Inrush Contacts	6V=6 Volt Incandescent 12V=12 Volt Incandescent 28V=28 Volt Incandescent 125V=125 Volt Neon 250V=250 Volt Neon 125VG=125 Volt Green Neon 250VG=250 Volt Green Neon 6VR=6 Volt Red LED 6VG=6 Volt Green LED 12VR=12 Volt Red LED 12VG=12 Volt Green LED	1=Red 2=Clear 3=Amber * 4=Green	M9=Matte Black (For other colors Contact Factory)	B=Protective Barrier T=Boot E=Epoxy Seal

* Green lenses require non-standard neon lamps for units with neon lamps.

 A Unit of Electro Switch Corp.	Title: CRTL SERIES ILLUMINATED DP ROCKER SWITCH
	TOLERANCES UNLESS OTHERWISE SPECIFIED
2 Place Decimal ± .010 3 Place Decimal ± .005 Angles ± 1°	METRIC 1 Place Dec ± .25mm 2 Place Dec ± .13mm
Made for: CW/OSLO	Division: SWITCH
Drawn by: DGW 9/21/2021	
Checked by: <i>G. GULI 9-30-21</i>	Dwg. No. CRTL DP SERIES SWITCH
Approval: <i>[Signature]</i> 9/13/21	

MASTER