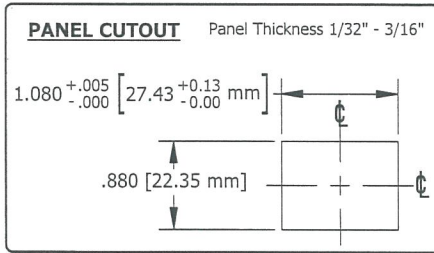
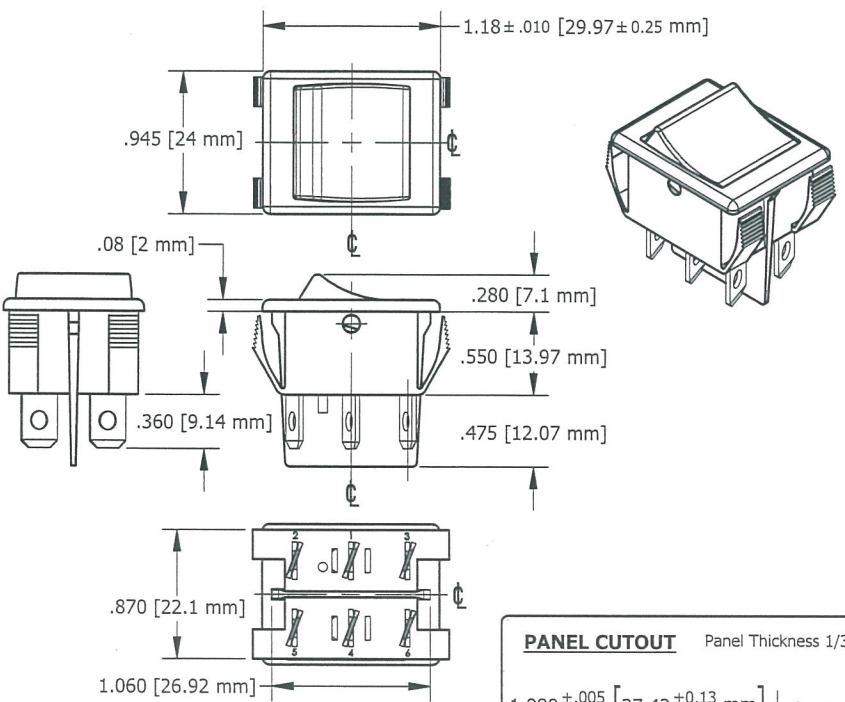


THIS INFORMATION IS CONFIDENTIAL AND PROPRIETARY TO CW INDUSTRIES INCORPORATED AND ITS AFFILIATES. IT MAY NOT BE DISCLOSED TO ANYONE, OTHER THAN CW INDUSTRIES PERSONNEL, WITHOUT WRITTEN AUTHORIZATION FROM CW INDUSTRIES INCORPORATED, SOUTHAMPTON, PENNSYLVANIA USA.



() = Momentary
 DIMENSIONS IN INCHES (MILLIMETERS)
 DO NOT SCALE DRAWING

Circuit	Switching	Terminal Diagrams
11	DPST Maintained	
22	DPDT Maintained	
33	DPDT Maintained Center Off	
44	DPST (Momentary) Normally Open	
55	DPST (Momentary) Normally Closed	
66	DPDT (Momentary) Transfer	
77	DPDT Maintained Center Off (Momentary)	
88	DPDT (Momentary) Center Off (Momentary)	

Dwg. No. CRTP DP SERIES SWITCH

REVISIONS	Description
0	New drawing. DGW 9/21/21

Approvals:
 UL recognized, CSA certified.
 Load rating: 20A 125/250 VAC, 1 HP, 125/250 VAC.
 Contacts: Fine silver, Standard.
 Dielectric strength: 1250 Volts (Live parts to ground).
 Life: 35,000 Operations at maximum rating.
 Insulation Resistance: 5 megohms.

Low Level Control:
 For low level/dry circuit applications (<100 ma) contact factory for part number (Gold plated contacts).

High Inrush:
 125 Amp inrush capability (AgNi contacts).

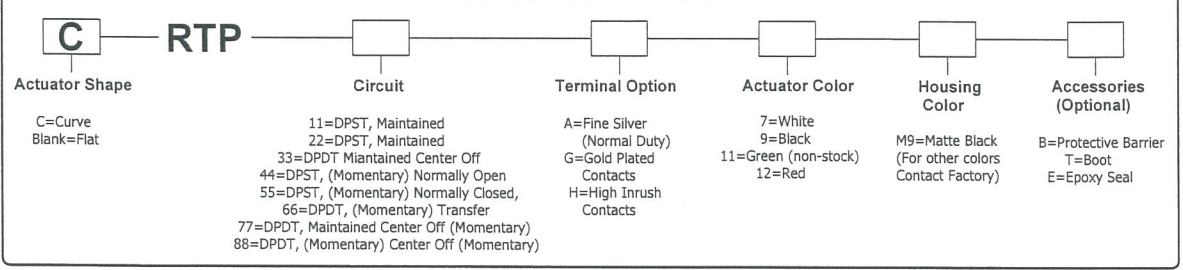
Terminals:
 .250" Wide x .031" Thk. Quick connect.

Mechanical operation: 100,000 Cycles

Markings:
 Letters, numbers and symbols can be applied to rocker Actuator or to Housing bezel. Consult factory.

Mounting:
 Snap-in type panel mounting for ease of installation without additional mounting hardware.

ORDERING INFORMATION:



TOLERANCES UNLESS OTHERWISE SPECIFIED

2 Place Decimal ± .010	METRIC
3 Place Decimal ± .005	1 Place Dec. ± .25mm
Angles ± 1°	2 Place Dec. ± .13mm

Title: CRTP SERIES NON-ILLUMINATED DP ROCKER SWITCH

Made for: CW/OSLO
 Drawn by: DGW 9/21/2021
 Checked by: G. GULD 9-30-21
 Approval: G. HENR 9/20/21

Division: SWITCH
 Dwg. No. CRTP DP SERIES SWITCH

MASTER