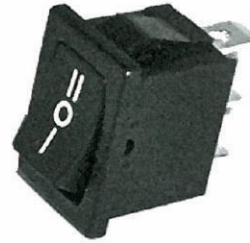


THIS INFORMATION IS CONFIDENTIAL AND PROPRIETARY TO CW INDUSTRIES INCORPORATED AND ITS AFFILIATES. IT MAY NOT BE DISCLOSED TO ANYONE, OTHER THAN CW INDUSTRIES PERSONNEL, WITHOUT WRITTEN AUTHORIZATION FROM CW INDUSTRIES INCORPORATED, SOUTHAMPTON, PENNSYLVANIA USA.

RA Miniature Rocker Switches



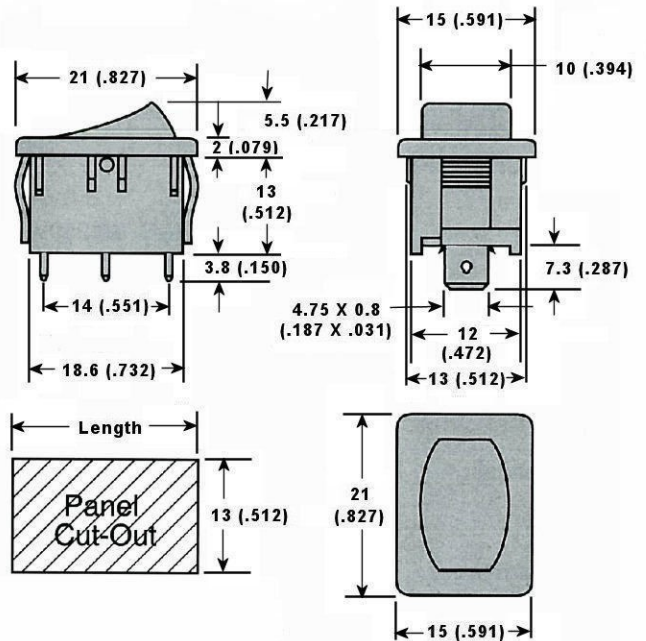
Features

- Snap-in mounting
- Choice of terminals
- approvals available
- Maintained or momentary

Specifications

- Rating 6A 250V AC
- Mechanical Life 15,000 Cycles
- Electrical Life 10,000 Cycles
- Contact Resistance 20mΩ max.
- Insulation Resistance 1,000MΩ min.
- Dielectric Strength 1,500V AC for 1 Minute
3,000V AC between poles

Panel Thickness mm (in.)	Length mm (in.)
0.7~1.25 (.028~.049)	19.0±0.2 (.748±.079)
1.26~2.0 (.050~.079)	19.3±0.2 (.760±.079)
2.1~3 (.083~.118)	19.6±0.2 (.772±.079)

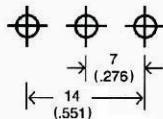


Ordering Information:

RA

Function	Rating	Housing Color	Rocker Color	Marking	Terminal Type
1=SPST;ON/OFF 2=SPDT;ON/ON 3=SPDT;ON/OFF/ON 4=SPDT;ON/(ON) 5=SPST;OFF/(ON) 6=SPDT;(ON)/OFF/(ON) 7=SPST;ON/(OFF) 8=SPDT;ON/OFF/(ON)	0=2A,250V AC 2=6A,250V AC 5=8A,250V AC 15A 125V AC	K=Black W=White	K=Black W=White O=Orange R=Red	A = B = C = D = E = F = G = H = I = L =	S Type P Type T Type R Type

- Notes: 1. Function #3,6 & 8 are available with S Type Terminal only.
2. Rating available for functions 1 & 2 only.



3. Mounting hole diagram for P & R Type Terminals.