

THIS INFORMATION IS CONFIDENTIAL AND PROPRIETARY TO CW INDUSTRIES INCORPORATED AND ITS AFFILIATES. IT MAY NOT BE DISCLOSED TO ANYONE, OTHER THAN CW INDUSTRIES PERSONNEL, WITHOUT WRITTEN AUTHORIZATION FROM CW INDUSTRIES INCORPORATED, SOUTHAMPTON, PENNSYLVANIA USA.

# RC Series Illuminated Round Rocker Switches



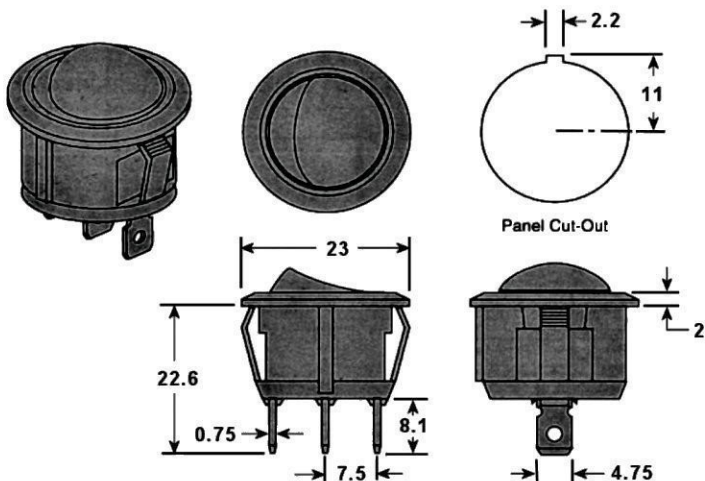
## Features

- Snap-in mounting
- Quick connect terminals

## Specifications

- Rating ..... 10A 250V AC  
..... 15A 125V AC
- Circuit-Position ..... S.P.D.T/S.P.S.T
- Contact Resistance ..... <math> < 50\text{m}\Omega </math> (Max)
- Insulation Resistance ..... 1,00M $\Omega$  (Min)
- Dielectric Strength ..... 1,500V AC for 1 Minute
- Safety Standard Approval ..... UL, CSA

Circuit	Switching	
9	SPST 2-Position (Illuminated) Maintained	



## LED Specification: (T=25°C)

	Symbol	LED Parameters			Unit
		Green	Red	Yellow	
LED Color					
Peak Forward Current	IFM	30	30	30	mA
Ave. Forward Current	IF	20	20	20	mA
Forward Voltage	VF	3	3	3	V
Reverse Voltage	VR	5	5	5	V
Emission Wavelength	$\lambda_p$	571	830	590	nm
Luminous Intensity	1 v	4.25	5.10	3.40	mod
Operating Temperature		-40 - 85			°C

## Ordering Information:

Series	Switch Function	Rating	Housing Color	Actuator Color	Color of Window	Marking	Terminal	Lamp Voltage	Shape of Window	Color of Lamp	Safety Approval
RC	<input type="checkbox"/>	<input type="checkbox"/>	<input type="checkbox"/>	<input type="checkbox"/>	<input type="checkbox"/>	<input type="checkbox"/>	<input type="checkbox"/>	<input type="checkbox"/>	<input type="checkbox"/>	<input type="checkbox"/>	<input type="checkbox"/>
	9 ON-OFF (Lighted)	5 10A 250V AC 15A 125V AC	K Black W White G Gray O Orange R Red N Green Y Yellow B Blue V Violet	K Black W White G Gray O Orange R Red N Green Y Yellow B Blue V Violet D Red M Green F Blue	E No Window R Red M Green Y Yellow F Blue T Transparent	B = C = E = F = G = I =	T Quick Connect, 4.8mm wide, 0.8mm thick  T Type	1 Neon Lamp (125V AC) 2 Neon Lamp (250V AC) 3 Tungsten Lamp (12V DC) 4 Tungsten Lamp (24V DC) L LED	L Elipse (LED lamp) C Round (Neon or Tungsten lamp) E No Window (Neon or Tungsten lamp)	N Transparent Neon Lamp F Green Fluorescent Neon Lamp B Blue Fluorescent Neon Lamp T Tungsten Lamp R Red LED Lamp M Green LED Lamp Y Yellow LED Lamp	B UL, ENEC