

THIS INFORMATION IS CONFIDENTIAL AND PROPRIETARY TO CW INDUSTRIES INCORPORATED AND ITS AFFILIATES. IT MAY NOT BE DISCLOSED TO ANYONE, OTHER THAN CW INDUSTRIES PERSONNEL, WITHOUT WRITTEN AUTHORIZATION FROM CW INDUSTRIES INCORPORATED, SOUTHAMPTON, PENNSYLVANIA USA.

# RC Series Non-Illuminated Round Rocker Switches



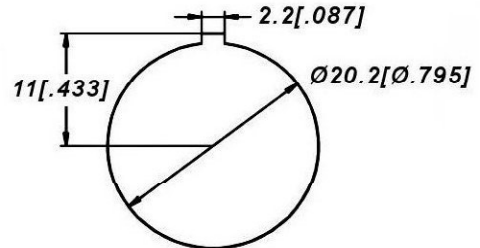
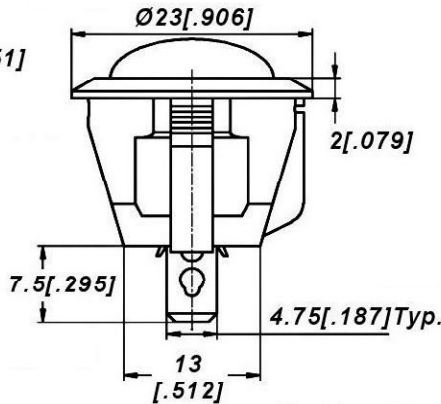
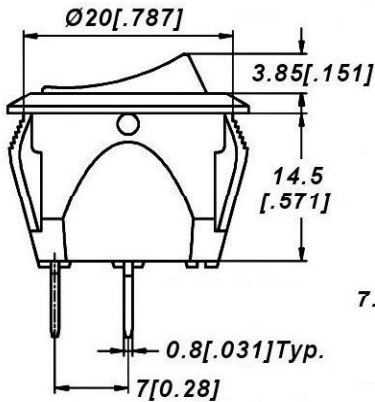
## Features

- Snap-in mounting
- Quick connect terminals

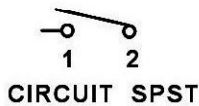
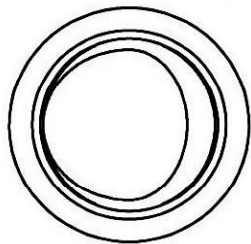
## Specifications

- Rating ..... 10A 250V AC  
..... 15A 125V AC
- Circuit-Position ..... S.P.D.T/S.P.S.T
- Contact Resistance ..... <50mΩ (Max)
- Insulation Resistance ..... 1,00MΩ (Min)
- Dielectric Strength ..... 1,500V AC for 1 Minute
- Safety Standard Approval ..... UL, CSA

Circuit	Switching			
1	SPST 2-Position Maintained			
2	SPDT 2-Position Maintained			
3	SPDT 3-Position Maintained			



Panel cut out(Thickness: 3mm Max)



### Marking Chart

B =	F =
C =	G =
E =	I =

## Ordering Information:

Series	Switch Function	Rating	Housing Color	Actuator Color	Marking	Terminal	Lamp Voltage	Shape of Window	Safety Approval
RC					See Chart				

1 Updated views & added Ø20.2 to cut out. DW 8/12/21

**OSLO SWITCH**  
**CW Industries**  
Tel 215.355.7080/www.cwind.com

Date Drawn: DW 10/29/20

Rev. 1

Unit: mm

Checked By:

Title: NON-ILLUMINATED  
ROUND ROCKER SWITCHES

CW P/N:  
RC NON-ILLUMINATED SWITCH