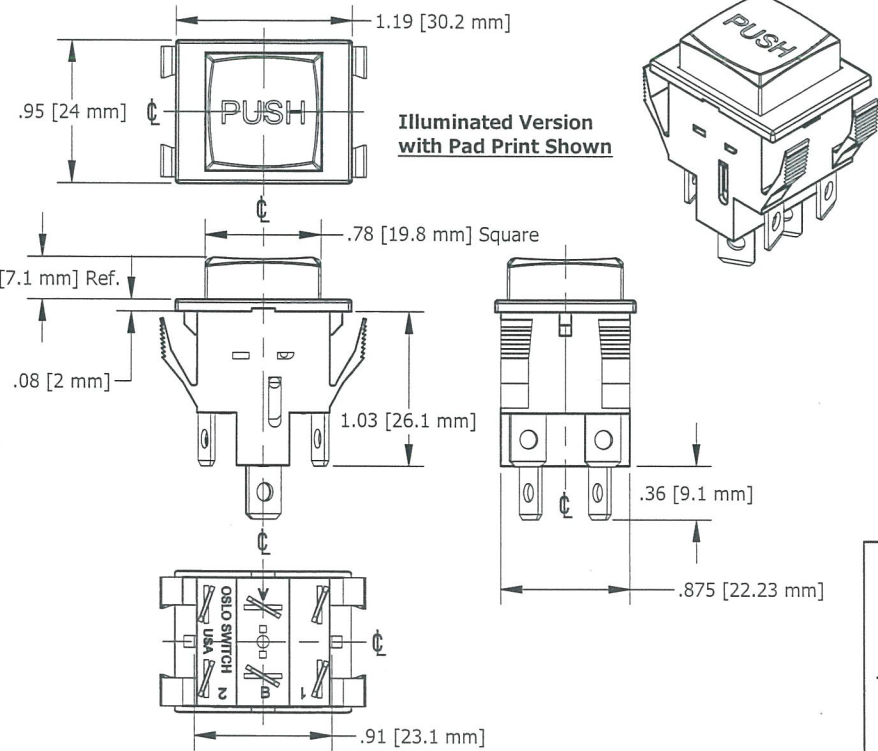


THIS INFORMATION IS CONFIDENTIAL AND PROPRIETARY TO CW INDUSTRIES INCORPORATED AND ITS AFFILIATES. IT MAY NOT BE DISCLOSED TO ANYONE, OTHER THAN CW INDUSTRIES PERSONNEL, WITHOUT WRITTEN AUTHORIZATION FROM CW INDUSTRIES INCORPORATED, SOUTHAMPTON, PENNSYLVANIA USA.

DIMENSIONS IN INCHES (MILLIMETERS)
DO NOT SCALE DRAWING

Dwg. No. **S SERIES SWITCH**

REVISIONS	0	New drawing. DGW 1/04/22



Approvals:
UL recognized, CSA certified.
Load rating: 10A 125/250 VAC, 1/4 HP, 125 VAC;
10A 14VDC.

Contacts: Fine silver, double break.
Circuits: Single-Pole and Double-Pole.
Dielectric strength: 2000 VAC RMS.
Life: 25,000 Operations at maximum rating.

Low Level Control:
For low level/dry circuit applications (<100 ma) contact factory for part number.

Terminals/Contacts:
1/4" Quick connect, 3/16" Quick connect and solder lug for #12 wire. Fine silver contacts (gold plating available).

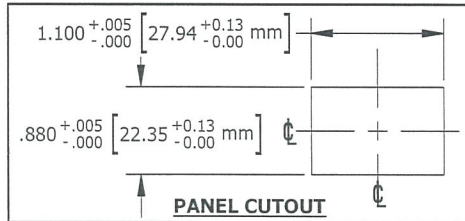
Mechanical operation: 100,000

Lamps:
Integral with switch; internally connected per diagram.
6, 12 And 28 Volt incandescent lamps standard.
125 And 250 volt neon lamps standard.
Green neon 125 and 250 volt lamps and LED 6 and 12 volt are available, consult factory.

Markings:
Letters, numbers and symbols can be engraved, hot-stamped or pad printed on lens cap; mylar inserts are also available, consult factory.

Series S Pushbutton switches are designed for snap-in panel mounting.

Circuit	Switching	Circuit Diagram (Lighted)	Circuit Diagram (Non-Lighted)
1	Single-Pole Single-Throw Normally Open		
2	Single-Pole Single-Throw Normally Closed		
3	Double-Pole Single-Throw Normally Open		
4	Double-Pole Single-Throw Normally Closed		
5	Double-Pole Circuit #1 Normally Open Circuit #2 Normally Closed		
6	Single-Pole Single-Throw Normally Open		N/A
7	Double-Pole Single-Throw Normally Open		N/A
G	Indicator Light Only		N/A



ORDERING INFORMATION:

S	Lighting	Action	Circuit	Terminal	Lamp or LED Voltage	Cap Style	Lens Cap Color	Housing Color	Accessories (Optional)
	L=Lighted P=Non-Lighted G=Indicator Light	M=Momentary A=Alternating T=Indicator Light Short Stroke Available****	1=SPST, Normally Open 2=SPST, Normally Closed 3=DPST, Normally Open 4=DPST, Normally Closed 5=DPST, Normally 1 Circuit Open, 1 Closed 6*=SPST, Normally Open 7*=DPST, Normally Open G=Indicator Light	A=1/4" Quick Connect B=3/16" Quick Connect C=Solder Connect	6V=6 Volt Incandescent 12V=12 Volt Incandescent 28V=28 Volt Incandescent 125V=125 Volt Neon 250V=250 Volt Neon 125VG=125 Volt Green Neon 250VG=250 Volt Green Neon 6VR=6 Volt Red LED 12VR=12 Volt Red LED 12VG=12 Volt Green LED	D**=Beveled Blank=Square Edged	TRANSPARENT COLORS 1=Red 2=Clear 3=Amber 4=Green*** 5=Blue*** OPAQUE COLORS 7=White 9=Black 11=Green 12=Red	Matte Finish M9=Black (For other colors Contact Factory)	B=Protective Barrier T=Boot CD=Clear Diffuser

* Lighted models only.
** Available only with transparent colors.
*** Green & Blue lenses require non-standard neon lamps for units with neon lamps.
**** Momentary, normally open circuits only, Consult Factory.

OSLO SWITCH
CW Industries
A Unit of Electro Switch Corp.

TOLERANCES UNLESS OTHERWISE SPECIFIED

2 Place Decimal ± .010	METRIC
3 Place Decimal ± .005	1 Place Dec ± .25mm
Angles ± 1°	2 Place Dec ± .13mm

Made for: CW/OSLO
Division: SWITCH

Drawn by: DGW 1/04/2022

Checked by: *G. GULD 1-5-22*
Dwg. No. S SERIES SWITCH

Approved: *G. GULD 1/5/22*

Title: **S SERIES PUSH BUTTON SWITCH**

1 2 3 4 5 6 7 8 9 10

MASTER