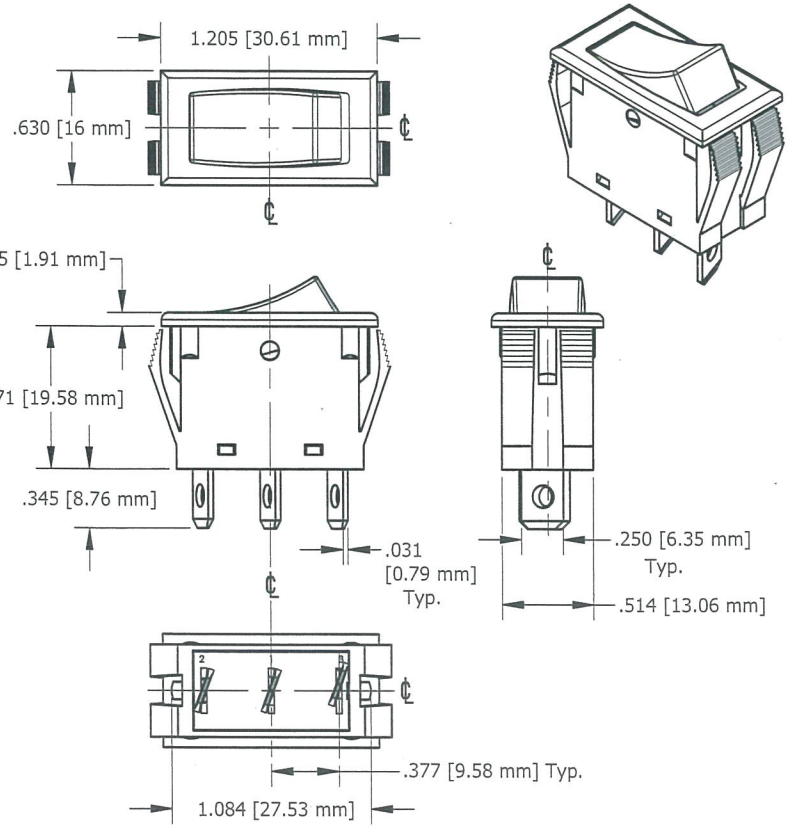


THIS INFORMATION IS CONFIDENTIAL AND PROPRIETARY TO CW INDUSTRIES INCORPORATED AND ITS AFFILIATES. IT MAY NOT BE DISCLOSED TO ANYONE OTHER THAN CW INDUSTRIES PERSONNEL, WITHOUT WRITTEN AUTHORIZATION FROM CW INDUSTRIES INCORPORATED, SOUTHAMPTON, PENNSYLVANIA USA.



**Approvals:**  
 UL recognized, CSA certified.  
 Load rating: 20A 125/250 VAC, 1 HP, 125/250 VAC.  
 Contacts: Fine silver, Standard.  
 Dielectric strength: 1250 Volts (Live parts to ground).  
 Life: 35,000 Operations at maximum rating.  
 Insulation Resistance: 5 megohms.

**Water & Dust Resistance:**  
 Designed to meet IP-64.

**Low Level Control:**  
 For low level/dry circuit applications (<100 ma) contact factory for part number (Gold plated contacts).

**High Inrush:**  
 125 Amp inrush capability (AgNi contacts).

**Terminals:**  
 .250" Wide x .031" Thk. Quick connect.

**Mechanical operation:** 100,000 Cycles

**Markings:**  
 Letters, numbers and symbols can be applied to rocker Actuator or to Housing bezel. Consult factory.

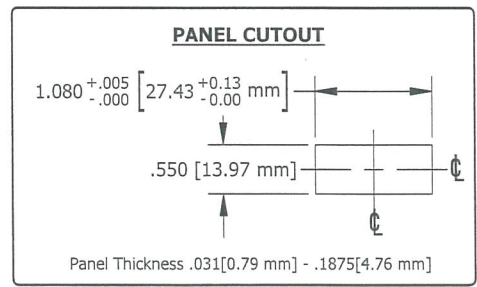
**Mounting:**  
 Snap-in type panel mounting for ease of installation without additional mounting hardware.

DIMENSIONS IN INCHES (MILLIMETERS)  
 DO NOT SCALE DRAWING .....

Dwg. No.	WRSP SP SERIES SWITCH
REVISIONS	0 New drawing DGW 4/12/23

( ) = Momentary

Circuit	Switching	Symbol 1	Symbol 2	Symbol 3
1	SPST Maintained	OFF	ON	
2	SPDT Maintained	ON	ON	
3	SPDT Maintained Center Off	ON	OFF	ON
4	SPST (Momentary) Normally Open	OFF		(ON)
5	SPST (Momentary) Normally Closed	ON		(OFF)
6	SPDT (Momentary) Transfer	ON		(ON)
7	SPDT Maintained Center Off (Momentary)	ON	OFF	(ON)
8	SPDT (Momentary) Center Off (Momentary)	(ON)	OFF	(ON)



**ORDERING INFORMATION:**

WRSP	Circuit	Terminal Option	Actuator Color	Housing Color	Accessories (Optional)
	1=SPST, Maintained 2=SPDT, Maintained 3=SPDT Maintained Center Off 4=SPST, (Momentary) Normally Open 5=SPST, (Momentary) Normally Closed, 6=SPDT, (Momentary) Transfer 7=SPDT, Maintained Center Off (Momentary) 8=SPDT, (Momentary) Center Off (Momentary)	A=Fine Silver (Normal Duty) G=Gold Plated Contacts H=High Inrush Contacts	7=White 9=Black 11=Green (non-stock) 12=Red	M9=Matte Black (For other colors) Contact Factory	T=Boot E=Epoxy Seal G=Panel Gasket

<p>A Unit of Electro Switch Corp.</p>	Title:	WRSP SERIES NON-ILLUMINATED WEATHERPROOF SP ROCKER SWITCH					
	<p>TOLERANCES UNLESS OTHERWISE SPECIFIED:</p> <table border="0"> <tr> <td>2 Place Decimal ± .010</td> <td>METRIC</td> </tr> <tr> <td>3 Place Decimal ± .005</td> <td>1 Place Dec ± .25mm</td> </tr> <tr> <td>Angles ..... ± 1'</td> <td>2 Place Dec ± .13mm</td> </tr> </table>		2 Place Decimal ± .010	METRIC	3 Place Decimal ± .005	1 Place Dec ± .25mm	Angles ..... ± 1'
2 Place Decimal ± .010	METRIC						
3 Place Decimal ± .005	1 Place Dec ± .25mm						
Angles ..... ± 1'	2 Place Dec ± .13mm						
Made for: CW/OSLO	Division:	SWITCH					
Drawn by: DGW 4/12/23	Checked by: G. GULD 4-13-23	Dwg. No.					
Approval: [Signature] 4/12/23	WRSP SP SERIES SWITCH						

1 2 3 4 5 6 7 8 9 10

**MASTER**