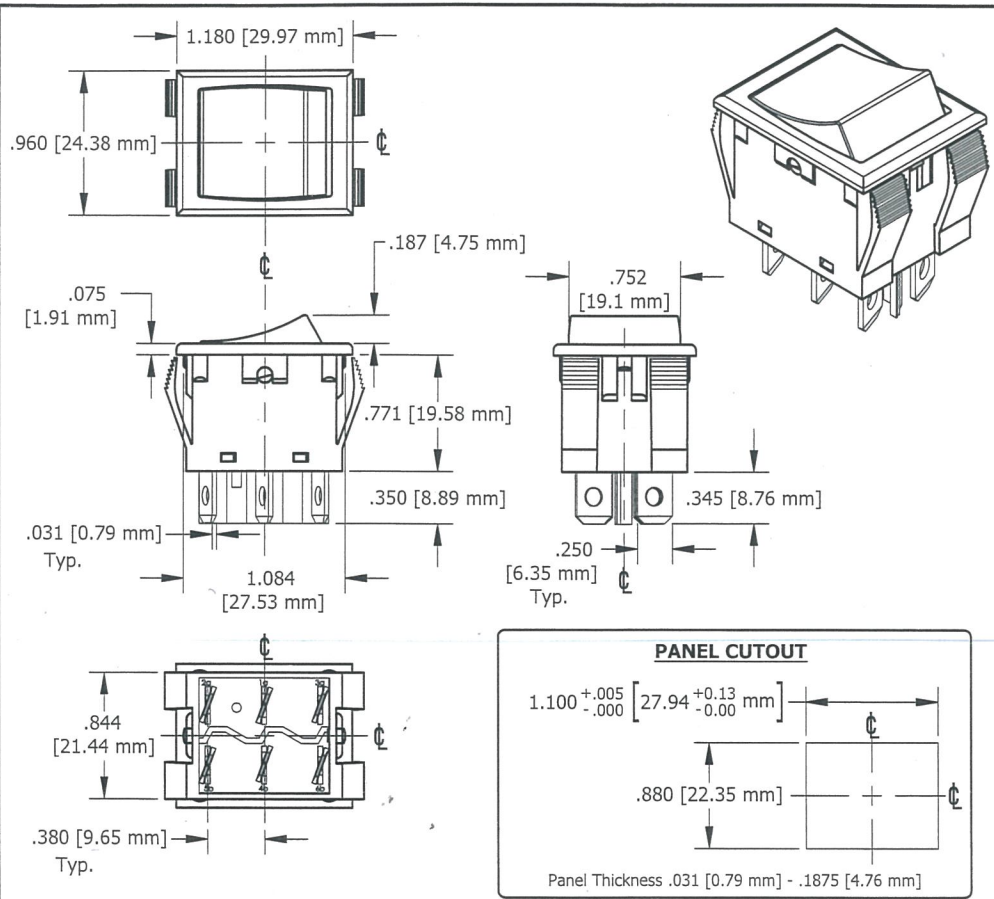


THIS INFORMATION IS CONFIDENTIAL AND PROPRIETARY TO CW INDUSTRIES INCORPORATED AND ITS AFFILIATES. IT MAY NOT BE DISCLOSED TO ANYONE, OTHER THAN CW INDUSTRIES PERSONNEL, WITHOUT WRITTEN AUTHORIZATION FROM CW INDUSTRIES INCORPORATED, SOUTHAMPTON, PENNSYLVANIA USA.



() = Momentary

DIMENSIONS IN INCHES (MILLIMETERS)
DO NOT SCALE DRAWING

Circuit	Switching	Diagram 1	Diagram 2	Diagram 3
11	DPST Maintained			
22	DPDT Maintained			
33	DPDT Maintained Center Off			
44	DPST (Momentary) Normally Open			
55	DPST (Momentary) Normally Closed			
66	DPDT (Momentary) Transfer			
77	DPDT Maintained Center Off (Momentary)			
88	DPDT (Momentary) Center Off (Momentary)			

Dwg. No. WRTP DP SERIES SWITCH

0 New drawing. DGW 4/14/23 APR 18 2023

REVISIONS

Approvals:
UL recognized, CSA certified.
Load rating: 20A 125/250 VAC, 3/4 HP, 125/250 VAC. 14A 14VDC.
Contacts: Fine silver, Standard.
Dielectric strength: 1250 Volts (Live parts to ground).
Life: 35,000 Operations at maximum rating. Insulation Resistance: 5 megohms.

High Inrush:
125 Amp inrush capability (AgNi contacts).

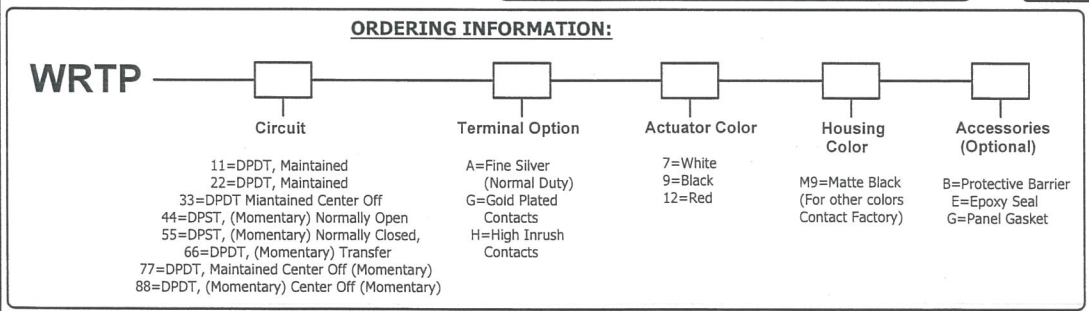
Terminals:
.250" Wide x .031" Thk. Quick connect.

Mechanical operation: 100,000 Cycles

Water & Dust Resistance:
Designed to meet IP-64.

Markings:
Letters, numbers and symbols can be applied to rocker Actuator or to Housing bezel. Consult factory.

Mounting:
Snap-in type panel mounting for ease of installation without additional mounting hardware.



OSLO SWITCH
CW Industries
A Unit of Electro Switch Corp.

TOLERANCES UNLESS OTHERWISE SPECIFIED

2 Place Decimal ± .010	METRIC
3 Place Decimal ± .005	1 Place Dec. ± .25mm
Angles ± 1'	2 Place Dec. ± .13mm

Made for: CW/OSLO
Drawn by: DGW 4/14/23
Checked by: G. GOLD 4-18-23
Approval: [Signature] 4/18/23

Title: WRTP SERIES WEATHERPROOF DOUBLE - POLE ROCKER SWITCH

Division: SWITCH
Dwg. No. WRTP DP SERIES SWITCH

MASTER